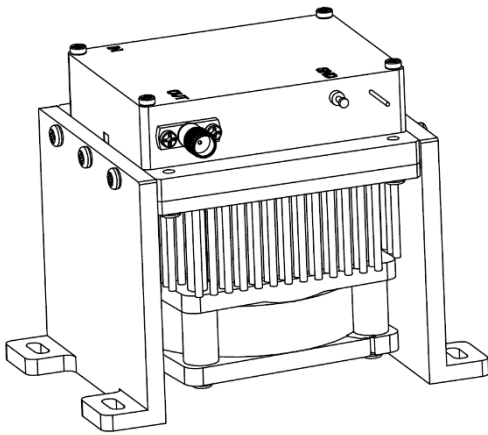


## Active X2, 18-26.5GHz

2022-9-27

## High Power Frequency Doubler, Pout=+30dBm



With -HF Option

### Description:

AT-AM2-1826N-30FB is a broadband frequency doubler. The doubler has an input frequency of 9-13.25 GHz with a typical output +30dBm from 18-26.5GHz. High rejection band pass filter is integrated to filter X1/X3 harmonics.

The integrated output buffers deliver high output power at a low drive level. The doubler also has a typical harmonic suppression. The input port is SMA female, and the output is 2.92mm Female in default and 3.5mm is available according to request..

More information, please visit [www.atmicrowave.com](http://www.atmicrowave.com)

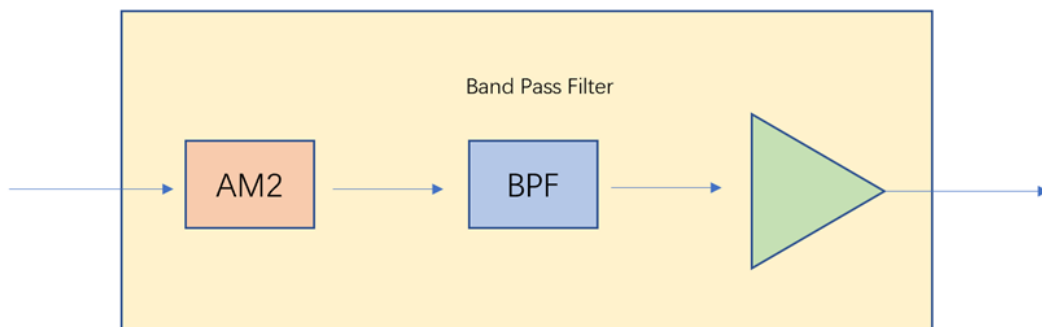
### Feature

- ✓ Frequency: 18-26.5GHz
- ✓ Pout: +30dBm typical
- ✓ Input: 9-13.25GHz, +3dBm
- ✓ Low Harmonics

### Application

- ✓ 5G Communication
- ✓ Test Equipment
- ✓ ROF (RF Over Fiber)
- ✓ Radar System

### Diagram Block





# AT-AM2-1826N-30FB

Active Multiplier x2, 18-26.5Hz Pout=+30dBm

## Electronical Specifications:

Parameter	Min	Typical	Max
Input Frequency		9-13.25GHz	
Input Power	+3	+5dBm	+8dBm
Multiplier Factor		X2	
Output Frequency		18-26.5GHz	
Output Power	+29	+30dBm	
X1 Suppression vs X2 Pout		X1=9-13.25GHz : -50dBc	
X3 Suppression vs X2 Pout		X3=30-40GHz: -40dBc	
Drain Voltage		+8 to 15V	+24V
Current @12V		1.0A	1.3A
Spec Temp		+25C	

## Mechanical Information

Item	Description
Input Port	SMA Female
Output Port	2.92mm Female
Case Material	Copper
Finish	Gold Plated
Weight (without heatsink)	230g
Size:	See outline

## Absolute Maximum Ratings Table

Parameter	Value
Drain Supply	+36V
RF Input Power	+15dBm
Operating Temperature	-40 to +85C
Storage Temperature	-55 to +125C





# AT-AM2-1826N-30FB

Active Multiplier x2, 18-26.5Hz Pout=+30dBm

## Part Number Selection

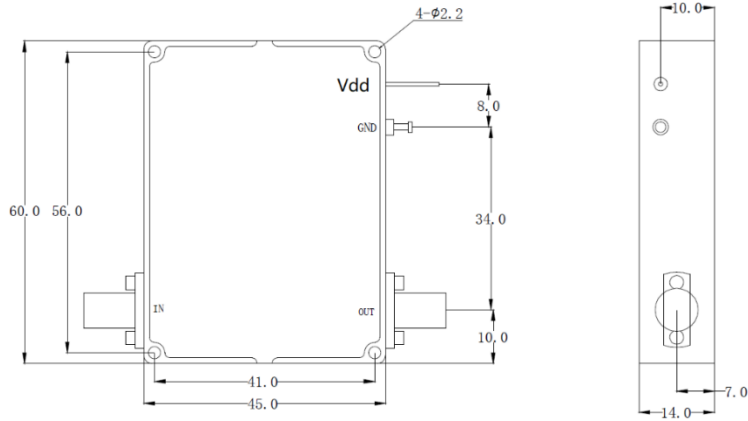
Item	Description
AT-AM2-1826N-30FB	In defaulted without heatsink and Fan. Heatsink and Fan required during operation.
AT-AM2-1826N-30FB- <b>HF</b>	Including Heatsink and Fan. Fan bias is connected with PA Module's Vdd supply

### Notes:

- ✓ Datasheet may be changed according to update of MMIC, Raw materials , process, and so on.
- ✓ This data is only for reference, not for guaranteed specifications.
- ✓ Please contact AT Microwave team to make sure you have the most current data.
- ✓ Always pay attention to the temperature of the case, heatsink and fan are required if case temperature exceeds over 50C.



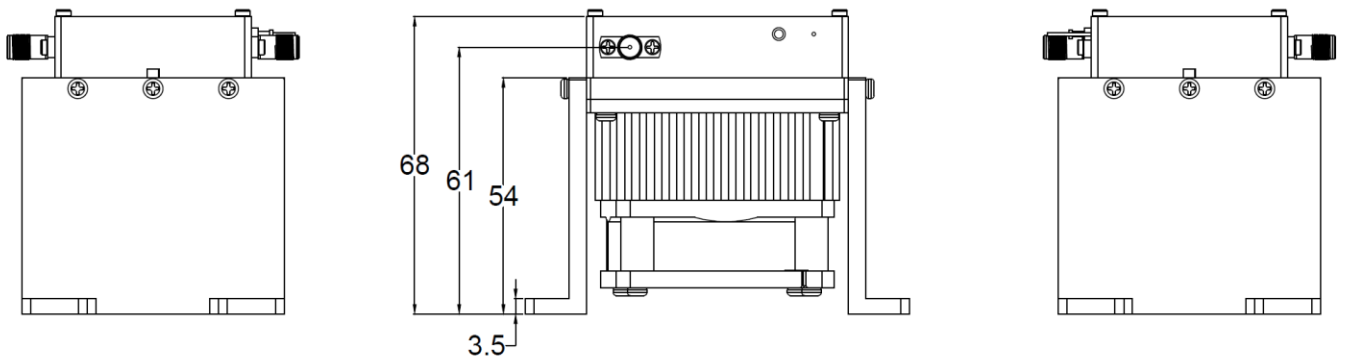
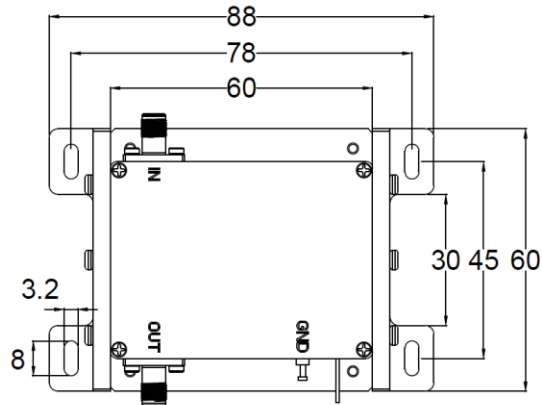
**Dimension:** (unit mm)



	<26.5GHz	<40GHz	<50GHz	<67GHz
Connector	SMA	2.92mm	2.4mm	1.85mm
Length of a	9.4mm	9.5mm	10.8mm	11.3mm

Note: Female Default. Contact with us for other types.

Outline without heatsink. Heat Sink Required During Operation



Outline-HF option with heatsink

